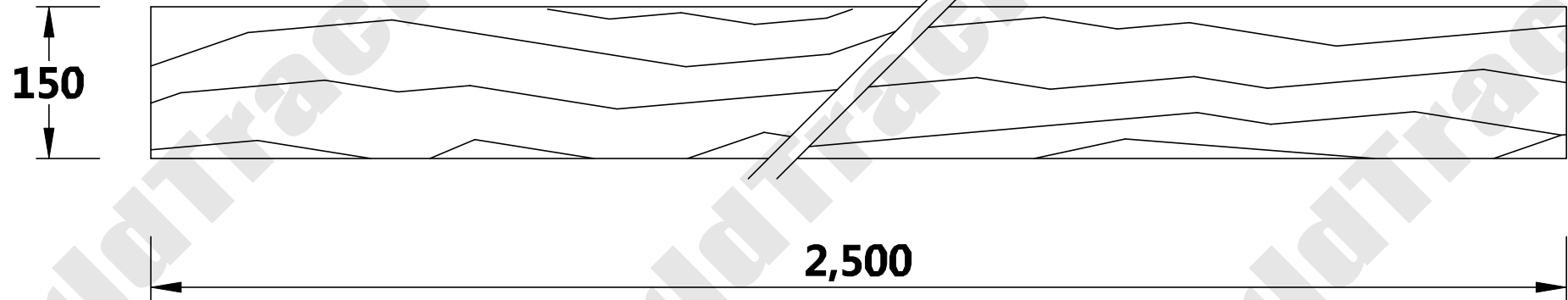
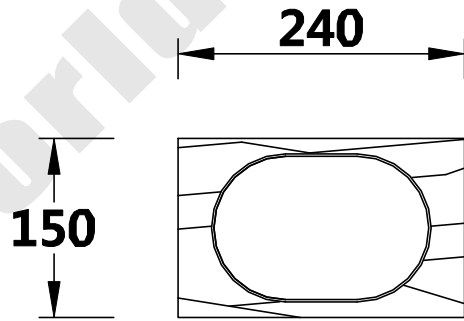


보통침목
(재적 (才) 27.0)



WORLD TRACK

THE TECHNICAL DATA CONTAINED IN THIS DRAWING IS PROPERTY OF WORLD TRACK LIMITED AND IS SUBJECT TO COPYRIGHT

WORLD TRACK

TEL : 82)2-2605-2380
 FAX : 82)2-2601-2382
<http://www.world-track.net>
 E-Mail: world-track@hanmail.net

Drawing Number

5

Checked By

Lee Se Wan

4

Date

2015 / 07 / 09

3

Scale

1 / 1 A4

2

ANGLE PROJECTION



1

NO

Description

Material

Size

1

2

3

4

5

6

7

8

9